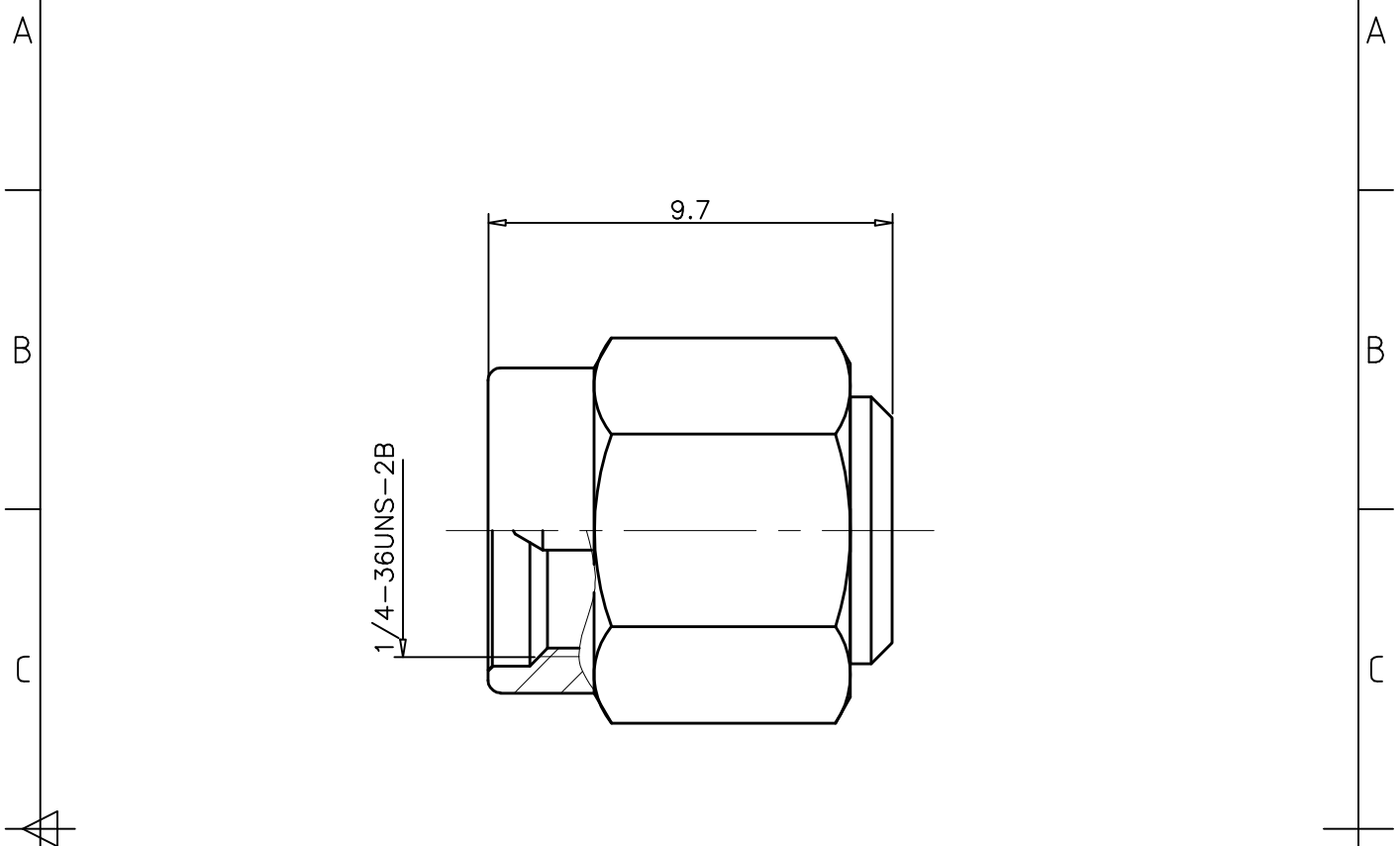


1	2	3	4	
RevNo	Revision note	Date	Signature	Checked
00	Sketch Only	7/2/14	Teresa	Simon



Interface Per:Interface Per:IEC 60169-23  
Material & Finishing:  
1. Center condutor: Brass, Gold Plating  
2. Insulators: PTFE  
3. C'Ring: Beryllium Copper  
4. Gasket: Silicone Rubber  
5. Body & Other Metal: Brass, Gold Plating

RoHS Compliant.

ALL DIMENSIONS ARE IN MILLIMETERS AND [INCHES]

KERUI ELECTRONIC CO;LTD

Title  
3.5mm male 0.5W termination

THESE DRAWING & SPEC. ARE THE PROPERTY OF KERUI ELECTRONIC CO;LTD AND SHALL NOT BE REPRODUCED, OR COPIED OR USED AS THE BASIS FOR THE MANUFACTURE OR SALE OF APPARATUS OR DEVICES WITHOUT THEIR EXPRESS WRITTEN CONSENT.

UNLESS OTHERWISE NOTED ALL SURFACES FINISHED TO 64/MAX.  
ALL TOLERANCES ARE:  
DECIMALS FRACTIONS ANGLES  
x ± 1.0 ±1/64 x' ± 1°  
x.x ± 0.5 x'x' ± 0.5°  
x.xx ± 0.1

Drawn by Teresa	Ckd by Simon	Appd by Richard	Date 7/2/2014
Scale 4:1	Sheet 1 of 1	77 18 111 005 01	